



Barring Motor

T480 Series

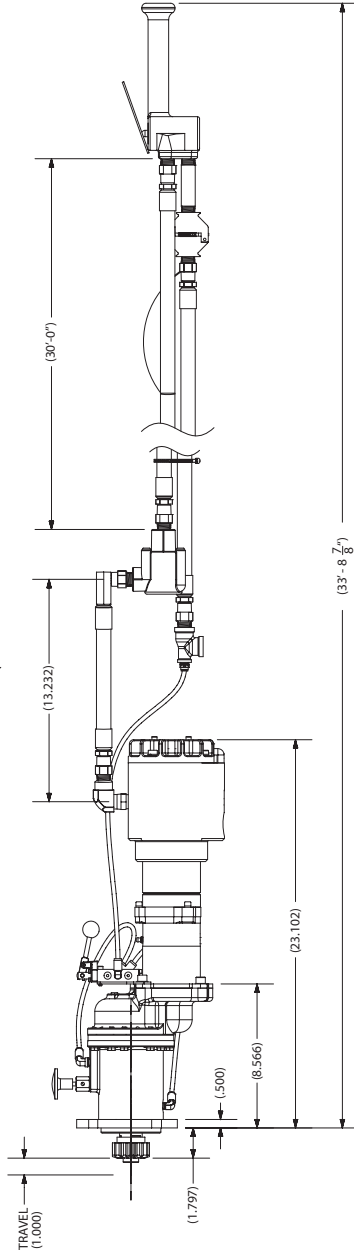
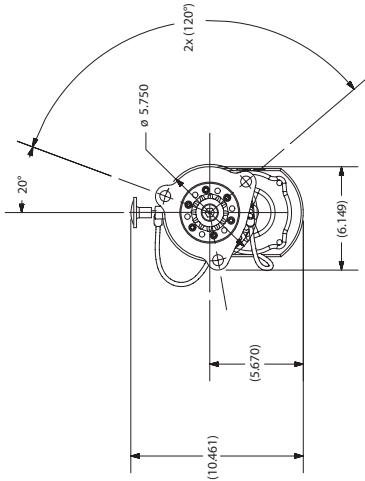
Parts Information



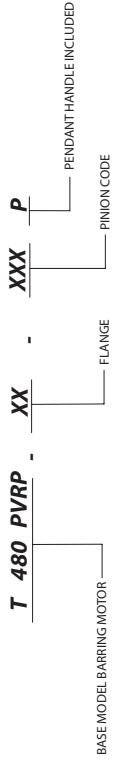
Save These Instructions

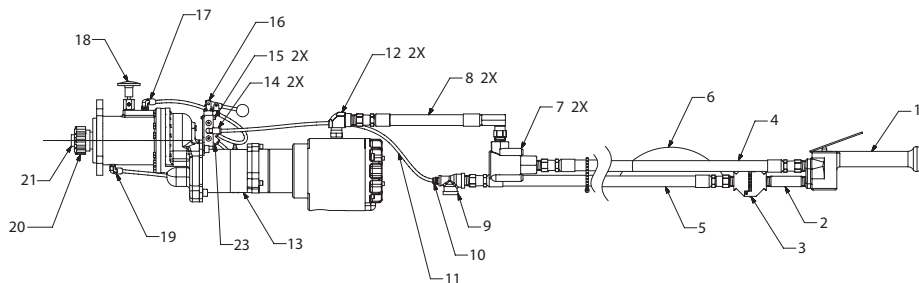
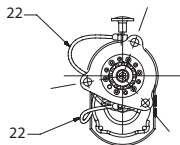
T480 Barring Motor-Dimensions and Model Coding

MODEL	CCN	PINION
T480PVRP-03-P	45529831	NONE
T480PVRP-03-31P	45529849	ST600-13A-31
T480PVRP-03-51P	45529856	ST600-13A-51
T480PVRP-03-613P	45529864	ST600-13A-613
T480PVRP-03-83P	45529872	ST600-13A-83
T480PVRP-03-91P	45529880	ST600-13A-91
T480PVRP-03-942P	45529898	ST600-13A-942



MODEL CODING



T480 Barring Motor Assembly


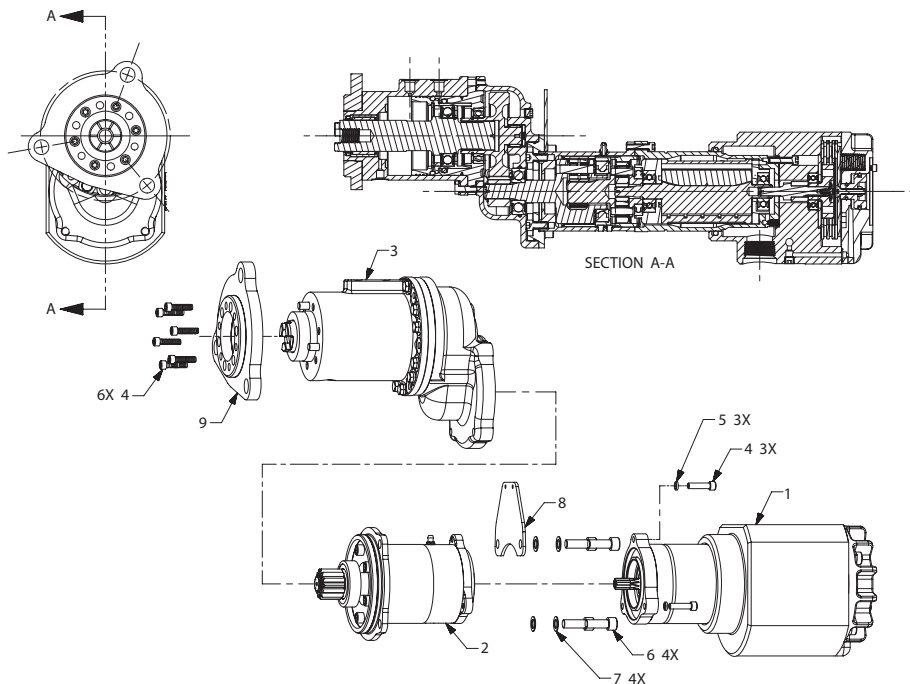
(Dwg. 45535762)

T480 Barring Motor Assembly Parts List

Item	Part Description	Part Number	Item	Part Description	Part Number
• 1	Pendant	C6H20A-A169B	† 17	Elbow	EL90-4M4DOT
• 2	Pipe Nipple	45527736	† 18	Lock Pin Assembly	B48-161
• 3	Safety Valve	104174-4	† 19	Elbow	EL90-4M2DOT
• 4	Hose Assembly	B48-130-360-2	20	Pinion	
• 5	Hose	B48-130-360		Pinion, 6/8, 12T	ST600-13A-31
• 6	Warning Tag	45523362		Pinion, 6/8, 15T	ST600-13A-51
• 7	Valve	20747-4 (2 per)		Pinion, 6 Mod, 13T	ST600-13A-613
• 8	Hose	B48-130-12 (2 per)		Pinion, 3.5 Mod, 11T	ST600-13A-83
• 9	Tee, Reducing	45527876		Pinion, 3.5 Mod, 14T	ST600-13A-91
• 10	Connector	59474-156		Pinion, 3.5 Mod, 14T	ST600-13A-942
† 11	Air Tube	45501848		21	Pinion Bolt
• 12	Elbow	B48-188-1 (2 per)	† 22	Air Tube	45528734 (2 per)
13	Barring Motor	T480PVRP-03		Pendant and Hose Kit	PT480-30K
† 14	Elbow	EL90-4M2DOT (2 per)		Valve and Connector Kit	45536893
† 15	Screw	Y154-56 (2 per)	† 23	Elbow	59756-56
† 16	Valve	5040-10			

• Included in Pendant and Hose Kit.

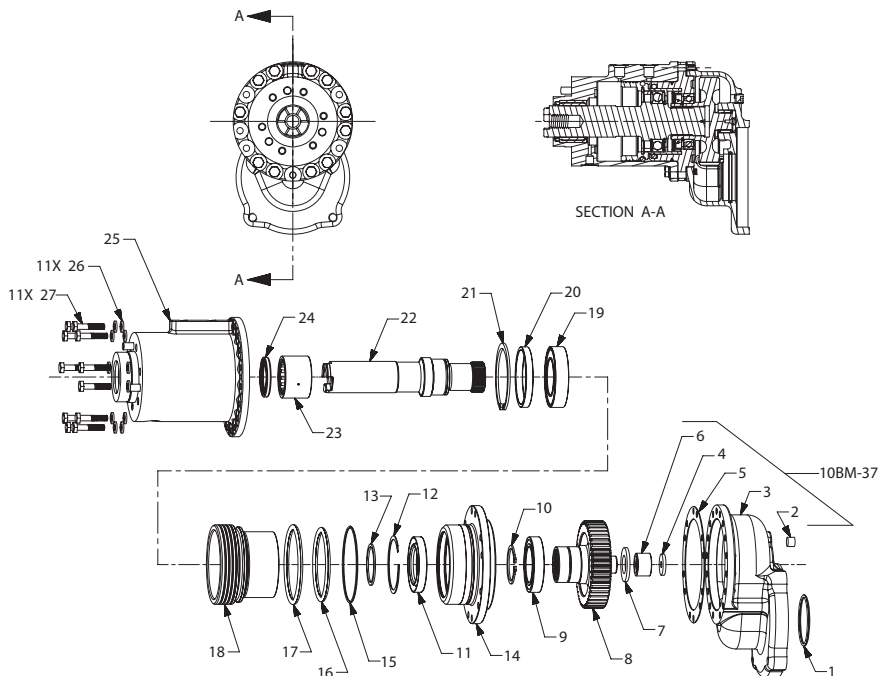
† Included in Valve and Connector Kit.

T480PVRP-03 Barring Motor Assembly


(Dwg. 45505153)

T480PVRP-03 Barring Motor Assembly Parts List

Item	Part Description	Part Number	Item	Part Description	Part Number
1	Motor/Brake Assembly	B48-48405	6	Cap Screw	Y99-62 (4 Req.)
2	Gear Assembly	B48-137-P	7	Washer	D02-504 (4 Req.)
3	Drive Assembly	B48-GDPE	8	Bracket, Valve Mounting	45525805
4	Cap Screw	5080-638 (9 Req.)	9	Flange, SAE 03	45499753
5	Washer	8U-58 (3 Req.)			

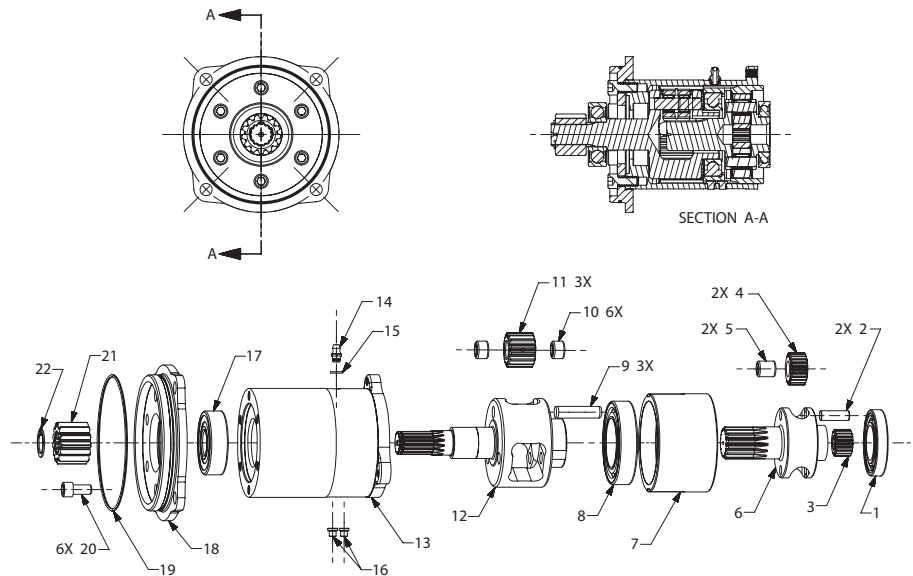
B48-GDPE Drive Assembly


(Dwg. 45504115)

B48-GDPE Drive Assembly Parts List

Item	Part Description	Part Number	Item	Part Description	Part Number
1	O-Ring	ST500-137	14	Cover, Gear Case	ST500-378
	Gear Case Assembly (Includes Items 2-6)	10BM-37	15	O-Ring	ST500-243
2	Pipe Plug	R2-227	16	O-Ring	ST500-336
3	Gear Case	10BM-X37	17	O-Ring	ST500-338
4	Washer	10BM-25	18	Piston	B48-704
5	Gasket	150BMP-284	19	Bearing	SS350-339
6	Bearing, Needle	10BM-399	20	Spacer	B48-442
7	Washer	10BM-15	21	Ring, Internal Ret.	B48-118
8	Gear, Drive	ST500-9	22	Shaft, Drive	B48-190
9	Bearing	SS350-359	23	Bearing, Roller	ST500-363
10	Ring, Retaining	ST500-107	24	Seal	SS350-273
11	Seal	SS350-272	25	Housing Assembly	45500709
12	Ring	SS350-270	26	Washer	10BM-67 (11 per)
13	Ring	SS350-109	27	Screw, Hex Cap	10BM-744 (11 per)

B48-137-P Gear Assembly

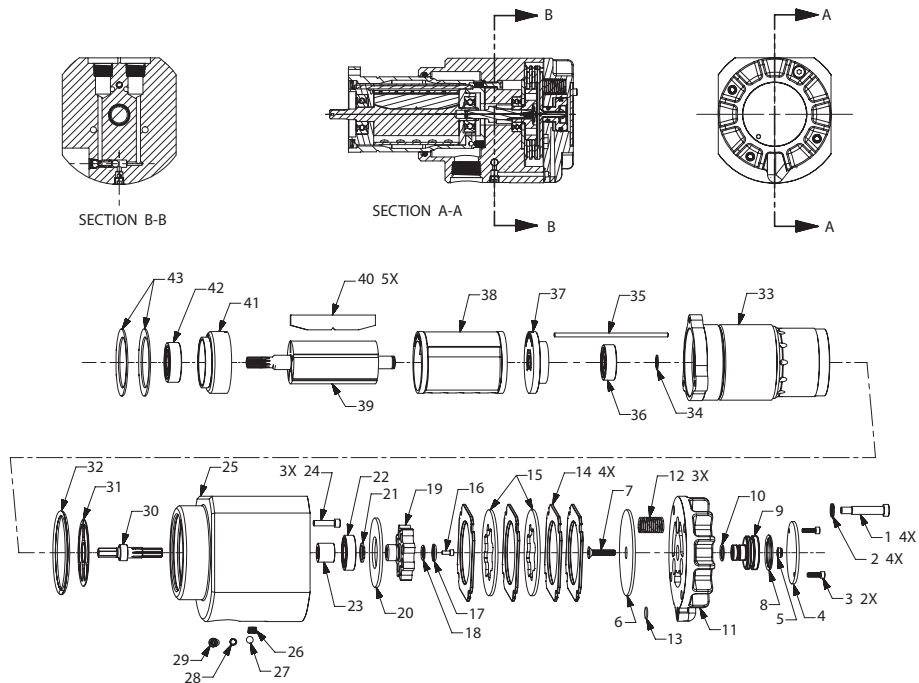


(Dwg. 45503422)

B48-137-P Gear Assembly Parts List

Item	Part Description	Part Number	Item	Part Description	Part Number
1	Bearing	W 44-97	12	Spindle	B48-108-5
2	Shaft	R4800-191 (2 per)	13	Gear Case	R4800P-37
3	Rotor Pinion	R4800P-17	14	Grease Fitting	R 1-188
4	Gear	R4800P-10X (2 per)	15	Washer	R3-92A
5	Bearing	R4800-654 (2 per)	16	Internal Gear Key	R4800-407 (2 per)
6	Gear Head	R4800P-216	17	Bearing	ST500-105
7	Internal Gear	R4800-406	18	Flange	B48-580
8	Bearing	R4800-97	19	O-Ring	Y325-46
9	Shaft	R4800-190 (3 per)	20	Screw, Socket Head	Y99-558 (6 per)
10	Bearing	WWU10-510 (6 per)	21	Pinion	150BME-17
11	Gear	R4800P-9 (3 per)	22	Ring, Retaining	ST500-69

B48-4840P Motor/Brake Assembly



(Dwg. 45503323)

B48-4840P Motor/Brake Assembly Parts List

Item	Part Description	Part Number	Item	Part Description	Part Number
1	Bolt	HLK-7 (4 per)	20	Washer	B48-248
2	Washer	D02-321 (4 per)	21	Retaining Ring, Ext.	B48-18
	Brake Housing Assembly (includes items 3-11)	T480-A395A	22	Bearing, Ball	39163
3	Screw	CE110-354 (2 per)	23	Spacer	B48-208
4	Cover Plate	ML50K-981	24	Cap Screw	5080-638 (3 per)
	Plate Kit (includes items 5-7)	ML50K-K338A	25	Backhead	B48-102
5	Nut	ML50K-394	26	Plug	Y227-2
6	Plate	ML50K-338A	27	Ball	Y16-10
7	Screw	ML50K-805A	28	O-Ring	5821-2229
	Piston Assembly (includes items 8-10)	ML50K-A809	29	Spool	9609-0223
8	O-Ring	R2C-103	30	Adapter	B48-316
9	Brake Piston	ML50K-809	31	Gasket	B48-223
10	O-Ring	MLK-210	32	Seal	R4800-210
11	Brake Housing	T480-395A	33	Motor Housing	B48-300
12	Spring	MLK-832 (3 per)	34	Retaining Ring	R4800-119
13	O-Ring	PS3-67	35	Dowel	R4800-98
14	Disc	ML50K-834A (4 per)	36	Bearing	R2-24A
15	Disc	ML50K-855A (2 per)	37	Rear End Plate	R4800-12
16	Screw	HLK-640	38	Cylinder	R4840-3
17	Retainer	HLK-639	39	Rotor	B48-53-S
18	O-Ring	R18L-14	40	Vane	R4800-42 (5 per)
19	Brake Driver	B48-299	41	End Plate	R4800-11
			42	Bearing	R3H-24
			43	Washer, Preload	R4800-81 (2 per)

Parts and Maintenance

When the life of the Barring Motor has expired, it is recommended that the Barring Motor be disassembled, degreased and parts be separated by material so that they can be recycled.

Tool repair and maintenance should only be carried out by an authorized Service Center.

Refer all communications to the nearest **Ingersoll Rand** Office or Distributor.

Related Documentation

For additional information refer to:

Product Safety Information Manual 45526654.

Product Information Manual 80238041.

Maintenance Information Manual 45528270.

Manuals can be downloaded from www.irtools.com.

Notes:

Notes:

Notes:

