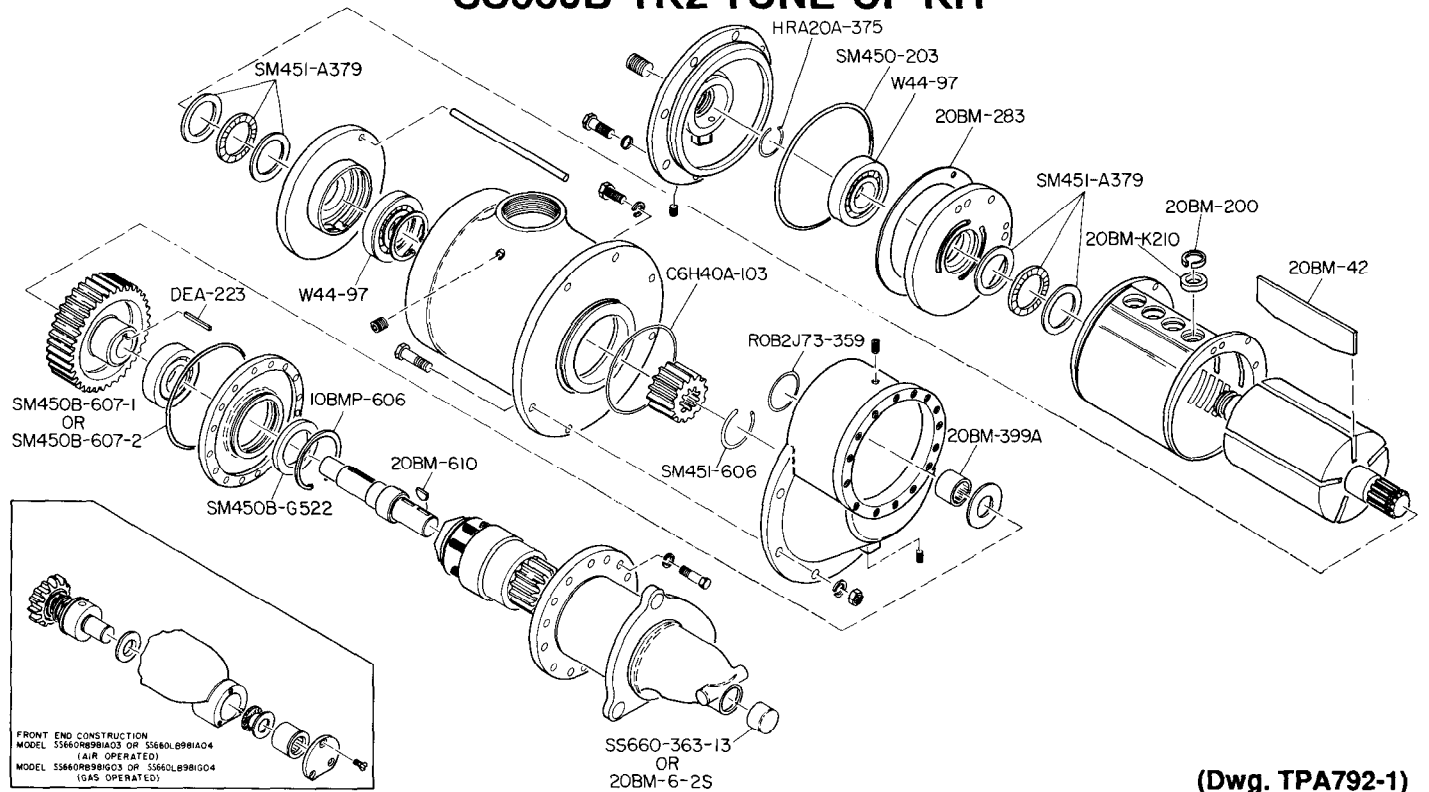


**Genuine**

# Ingersoll-Rand Replacement Parts

## SS660B-TK2 TUNE-UP KIT



This GENUINE Ingersoll-Rand Tune-up Kit contains the following parts:

PART NUMBER	PART NAME (Description)	QUANTITY
W44-97	Rotor Bearing (1-1/8" I.D. x 2-1/8" O.D. open bearing)	2
20BM-283	Housing Cover Gasket (round cork)	1
20BM-42	Vane	5
SM450B-607-2	Gear Case Cover Seal (6-1/4" O.D. O-ring)	1
SM450B-607-1	Gear Case Cover Seal (5-1/64" O.D. O-ring)	1
20BM-399A	Drive Shaft Rear Bearing (1" I.D. x 1-1/4 O.D. x 1" lg roller bearing)	1
DEA-223	Drive Gear Key (1/4" x 1/4" x 1-1/2" long)	1
SM450B-G522	Drive Shaft Grease Seal (Garlock)	1
IOBMP-606	Drive Shaft Grease Seal Retainer (2-3/8" O.D. snap ring)	1
HRA20A-375	Rear Rotor Retainer (1-1/8" I.D. snap ring)	1
SM451-606	Rotor Pinion Retainer (27/32" I.D. snap ring)	1
20BM-610	Drive Shaft key (7/8" long x 3/8" high Woodruff)	2
20BM-K210	Air Port Gasket (1" O.D. x 11/16" I.D. rubber seal)	4
20BM-200	Gasket Retaining Spring (1" I.D. steel band)	4
SM450-203	Housing Cover Seal (6-17/64" O.D. O-ring)	1
C6H40A-103	Motor Housing Seal (4-1/8" O.D. O-ring)	1
ROB2J73-359	Gear Case Seal (1-7/8" O.D. O-ring)	1
SM451-A379	Thrust Bearing Assembly (1-3/4" O.D. thrust bearing and two 1-3/4" O.D. steel washers each)	2
20BM-6-2S	Drive Housing Bushing (bronze)	1
SS660-363-13	Drive Housing Bearing (13/16" I.D. x 1-1/16" O.D. x 1" lg roller type)	1

For further information, refer to the following form:

Starter Model	SS660B
Parts Bulletin	P6381

© Ingersoll-Rand Company 1997  
Printed in U.S.A.

**INGERSOLL-RAND®**  
**ENGINE STARTING SYSTEMS**

Form K6381  
Edition 5  
03536919  
February, 1997